



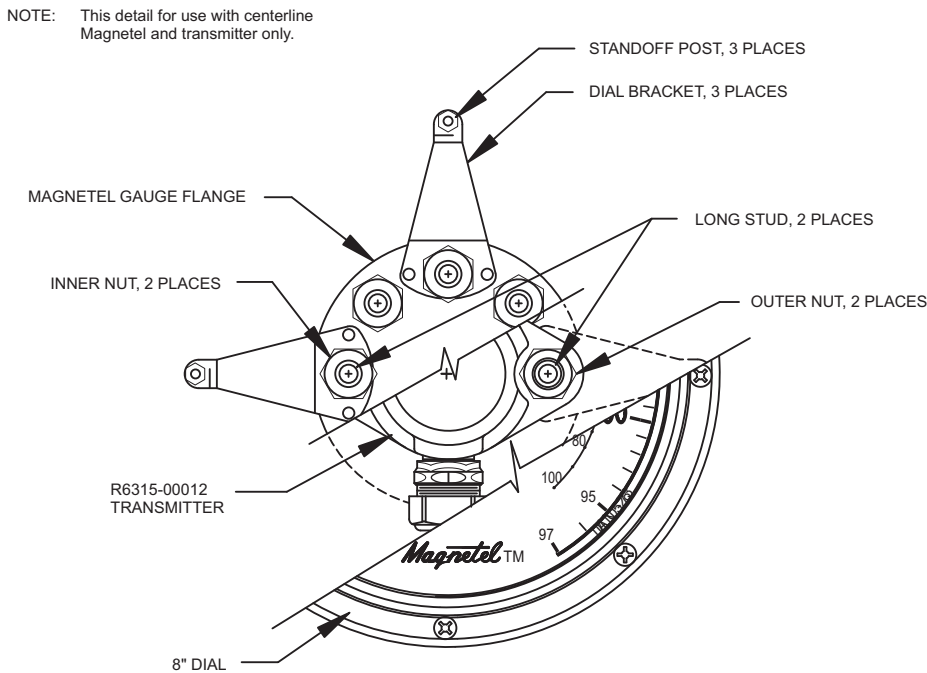
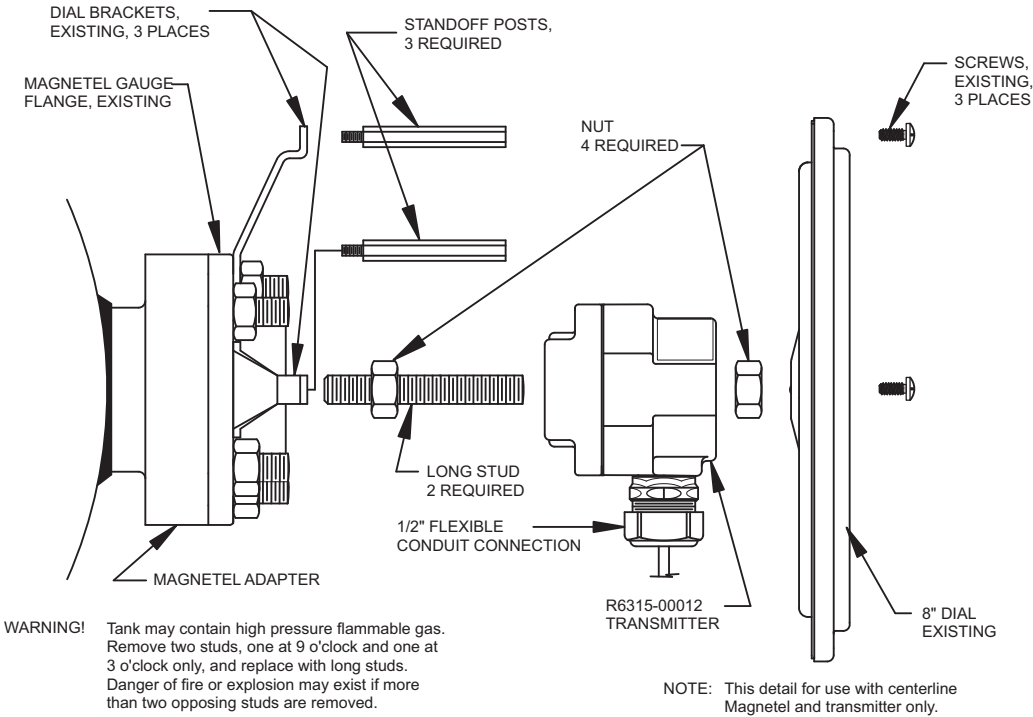
**ROCHESTER
GAUGES, INC.**

ISO 9001:2008 CERTIFIED

DS-873 Transmitter Installation On Rochester Magnetel Gauge

DS-873

DS-873 Transmitter Installation



NOTE: Materials and specifications are subject to change without notice. Pressure ratings subject to change due to temperature and other environmental considerations.

See reverse side for dimensional data, materials of construction, performance, and advice on how to order.

05/01/09

The Measure of Excellence



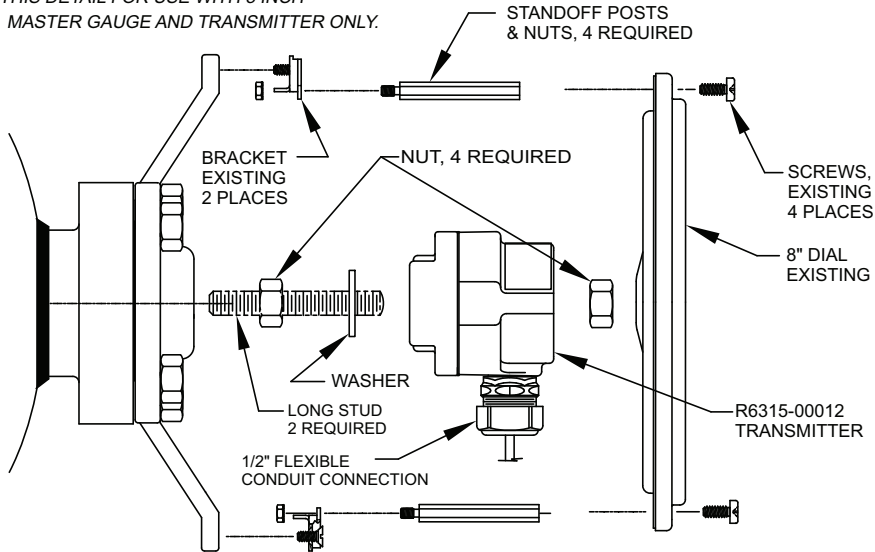
**ROCHESTER
GAUGES, INC.**

DS-873 Transmitter Installation On Master Gauge

DS-873

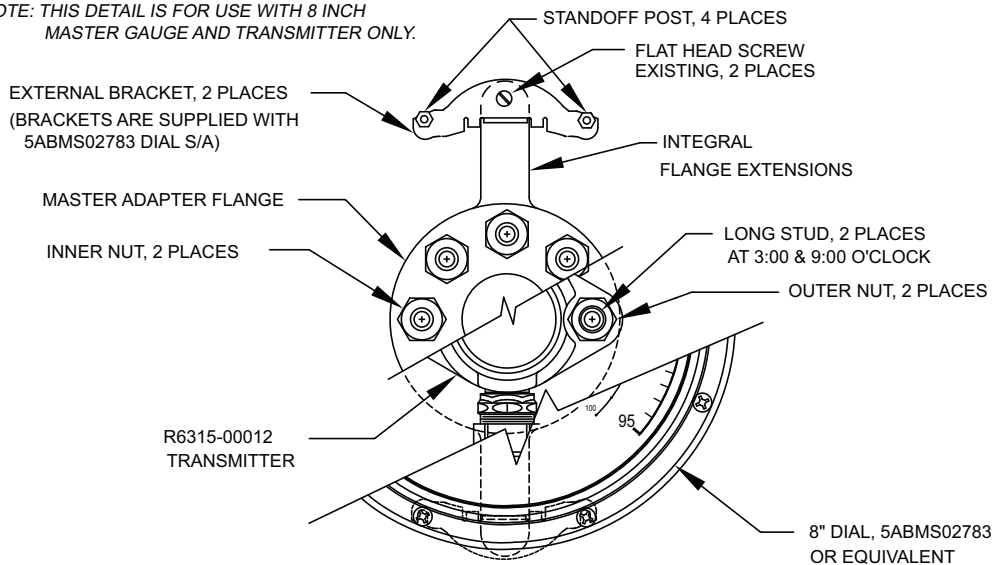
DS-873 Transmitter Installation

NOTE: THIS DETAIL FOR USE WITH 8 INCH
MASTER GAUGE AND TRANSMITTER ONLY.



WARNING! Tank may contain high pressure flammable gas. remove two studs, one at 9 o'clock and one at 3 o'clock only, and replace with long studs. Danger of fire or explosion may exist if more than two opposing studs are removed.

NOTE: THIS DETAIL IS FOR USE WITH 8 INCH
MASTER GAUGE AND TRANSMITTER ONLY.



NOTE: IF YOUR GAUGE IS EQUIPPED WITH "OLD STYLE" 8" DIAL S/A,
REPLACE WITH ROCHESTER 8 INCH DIAL S/A P/N 5ABMS02783.

NOTE: Materials and specifications are subject to change without notice.
Pressure ratings subject to change due to temperature and other environmental considerations.



**ROCHESTER
GAUGES, INC.**

The Measure of Excellence

11616 Harry Hines Blvd. • P.O. Box 29242 • Dallas, TX 75229 • (972) 241-2161 • FAX (972) 620-1403
Website <http://www.rochestergauges.com> • E-mail info@rochestergauges.com

05/01/09