



**ROCHESTER  
GAUGES, INC.**

***Stainless Steel,  
Magnetic Liquid-Level Gauges***

ISO 9001:2008 CERTIFIED

**7600  
Series**

**Stainless Steel,  
Magnetic Liquid-Level Gauges**

***Application***

Rochester 7600 Series gauges with all stainless-steel construction and a large nickel-plated Alnico magnet are especially suitable for marine applications of bilge oil, hydraulic oil, water and sea water. Where stainless steel construction is not required, use 6900 Series.

***General Information & Features***

Like all Rochester magnetic, liquid-level gauges, the 7600 Series gauges are built to high standards of instrumentation. Rochester completely seals off the inside liquid from the outside head and dial capsule, thereby eliminating many hazards and also permitting quick dial replacement without losing liquid. Dial capsules are hermetically sealed and vacuum tested to eliminate dial fogging. The dial capsule may be replaced by removing just two screws.

Another superior feature is the rugged gear drive with shrouded stainless steel beveled gear designed to shed or work out any loose particles which might affect action.



<b>Model #</b>	<b>Mounting</b>	<b>Dial</b>	<b>Gears &amp; Bearings</b>	<b>Construction</b>
7690	Top	Standard 4" [100 mm] dial, direct indicating, fractional reading (Standard).	Stainless-steel gears and bearings (Standard).	All wet parts stainless-steel including float.
7693*	Centerline or Angle			

*\* Available with lever action, optional*

*See reverse side for dimensional data, materials of construction, performance, and advice on how to order.*

*The Measure of Excellence*

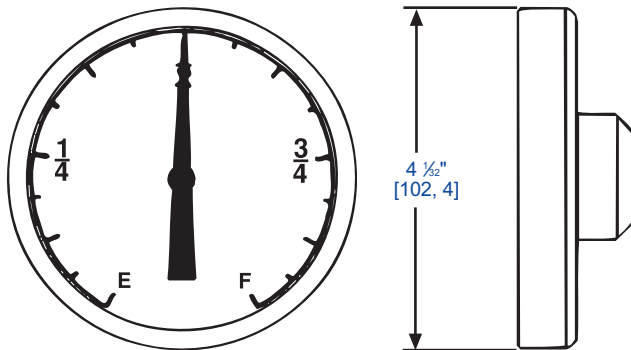
01/29/10

## 7600 Series

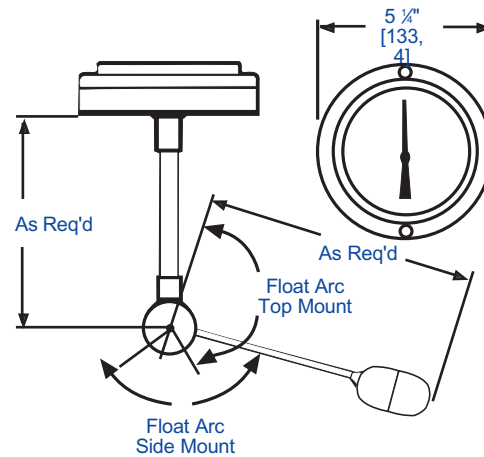
# Stainless Steel, Magnetic Liquid-Level Gauges

[Metric]

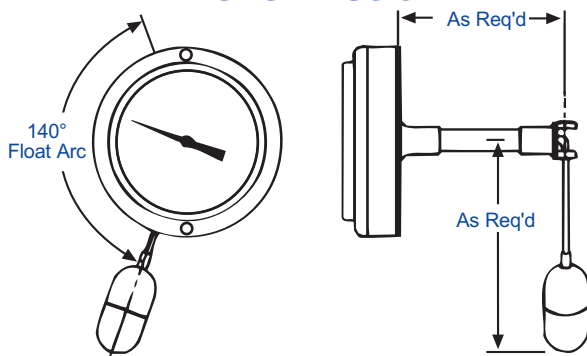
### 4" Dial



### Gear Action



### Lever Action



## General Specifications \*

### Mounting

Top, centerline or angle mounting on 4 1/4" B.C. [107, 9 mm]

### Dial

Standard 4" [100 mm] dial — hermetically-sealed, tested in 8" HG vacuum. Made of aluminum with glass crystal standard.

NOTE: Lexan material is available optional, 175°, 80C max.

### Dial Reading

In fractions of total tank volume (standard). Gallonage and special reading optional.

## When ordering, specify:

1. Gauge model number
2. Tank height
3. Mounting location.
4. State any options.

## Materials of Construction \*

### Drive Magnet

Plated Alnico.

### Center Shaft, Support Tube, Cross Stud, Gear Housing, Bearings, Head, Float & Rod

Stainless steel.

### Gasket

Buna-N (0015-00422).

### Accuracy

Accuracy depends on proper sizing of gauge and tank configuration. Standard 4" dial equipped gauge, ±3%.

### Temperature Range

Standard operating temperature range -50°F to 200°F, -45°C to 93°C.

### Shock

Tested per MIL-S-901B, Navy standard shock test.

### Vibration

Tested per MIL-STD-167, standard Navy vibration test.

### Tank Pressure

0 to 200 p.s.i. [0 to 13, 7 Bar]

\* Materials and specifications are subject to change without notice.  
Pressure ratings subject to change due to temperature and other environmental considerations.