



**ROCHESTER  
GAUGES, INC.**

**Stainless Steel, Magnetic  
Liquid-Level Gauges**

**6400  
Series**

ISO 9001:2008 CERTIFIED

**Stainless Steel, Magnetic  
Liquid-Level Gauges**

**Application**

The 6400 Series Senior™ Gauges are especially designed for chemical service with all wetted parts made of stainless steel except the nickel-plated Alnico drive magnet.

**General Information & Features**

The 6400 Series gauges are available in gear-action models for top, centerline or angle mounting, or in lever-action models for centerline mounting only. They are mounted to tank using Senior™ flanges 2 1/2" bolt circle [63,5] by four #0040-00666 5/16 -24 x 3/4 screws. A #0015-00462 spiral-wound, Teflon gasket is standard.



*Typical 6480 Gauge*

Model #	Action	Mounting	Dial, Sender or Switch Data
6440	Gear	Top	Senior™ TwinSite™ Sender in choice of 0-30, 0-90, or 240-30 Ohm ranges. Direct-reading dials may also be used.
6443		C/L or Angle	
L6443	Lever	C/L	
6450	Gear	Top	Standard switch #5023S00778 S.P.S.T., VAC/50 VDC 1/2 Amp. Please furnish tank drawings and switch points so proper gauge and calibration can be supplied. Other switches available, see DS-364.
6453		C/L or Angle	
L6453	Lever	C/L	
6460	Gear	Top	#5002S00570 Senior™ side-reading fractional
6480		C/L or Angle	#5002S00062 Senior™ direct-reading fractional
6483	Lever	C/L	#5002S00547 Senior™ direct-reading fractional
L6483	Gear	Top	#5013S00456 4" fractional dial
6490		C/L or Angle	
6493	Lever	C/L	
L6493	Lever	C/L	

*Gallonge and percentage dials are available for models 6480 through L6493 at extra cost.*

*See reverse side for dimensional data, materials of construction, performance, and advice on how to order.*

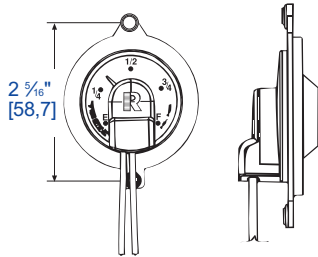
01/20/10

*The Measure of Excellence*

## 6400 Series

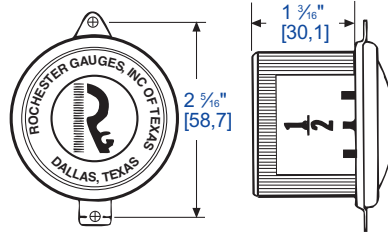
# Stainless Steel, Magnetic Liquid-Level Gauges

### Sr. Twinsite Sender



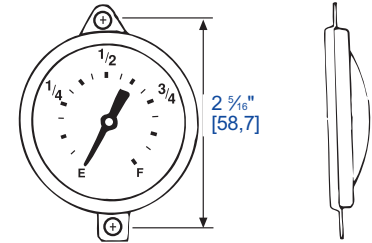
### # 5025S00570

### Sr. Side-Reading Dial

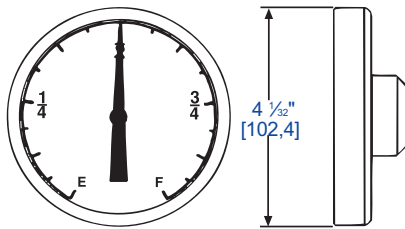


### # 5002S00062

### Sr. Direct-Reading Dial



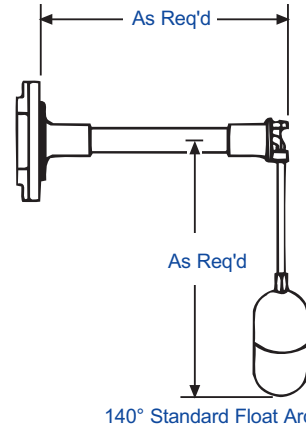
### # 5013S00456 Standard 4" Dial



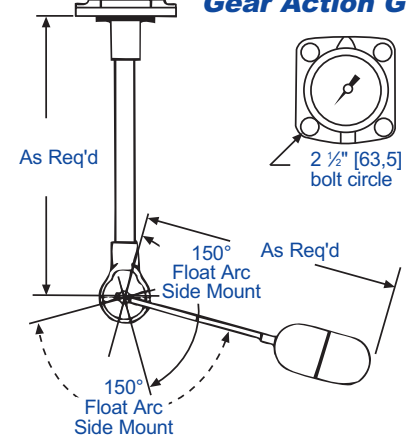
**NOTE:** This dial is used in conjunction with 93-2 mounting bracket and 39-2 bezel.

[METRIC]

### Lever Action Gauge



### Gear Action Gauge



## General Specifications\*

### Accuracy

Accuracy depends on proper sizing of gauge and tank configuration. Normally, direct-reading dials are  $\pm 3\%$ , side-reading dials are  $\pm 4\%$ , and TwinSite™ senders are 7%. Vibration improves accuracy.

### Recommended Mounting-Screw Torque

12 lb./ft. [16,4 Nm]

### Temperature Range

Standard operating temperature range  $-40^{\circ}\text{F}$  to  $+158^{\circ}\text{F}$ ,  $-40$  to  $70^{\circ}\text{C}$ .  $+350^{\circ}\text{F}$ ,  $177^{\circ}\text{C}$  available on special order.

### Shock

Passes MIL-S-901 B Naval Standard Shock Test.

### Vibration

Passes MIL-STD-167 Naval Standard Vibration Test.

### Power

0.5 watts maximum for TwinSite™ versions.

### Maximum Service Pressure

500 PSIG [34 Bar] (Standard). Service pressure up to 575 PSIG [39,6 Bar] available on special order.

### Approval

These direct indicating gauges are UL listed for flammable liquids.

Note: For installation instructions see MS-501/502 (mounting standard).

## Materials of Construction\*

**Head, Centershaft, Support Tube, Gears, Cross Stud, Gear Housing, Bearings, Float, & Float Rod**  
Stainless steel.

**Drive Magnet**  
Plated Alnico.

**Mounting Screws**  
Stainless steel.

**Mounting Gasket**  
Teflon and stainless steel.

**Direct-Reading Dial**  
Aluminum with acrylic crystal, hermetically sealed.

**Side-Reading Dial**  
Aluminum with polycarbonate crystal, hermetically sealed.

**Standard 4" Dial**  
Aluminum with glass crystal, hermetically sealed.

**TwinSite™ Sender**  
Polyamide.

\* Materials and specifications are subject to change without notice.  
Pressure ratings subject to change due to temperature and other environmental considerations.

## When Ordering, Specify:

1. Gauge model number.
2. Tank diameter and riser height.
3. Mounting location.
4. Ohm range on TwinSite™ versions.
5. Preferred switch on switch gauges, if other than standard.
6. Service pressure.
7. Any listed options.

01/20/10