



ISO 9001:2008 CERTIFIED

Application

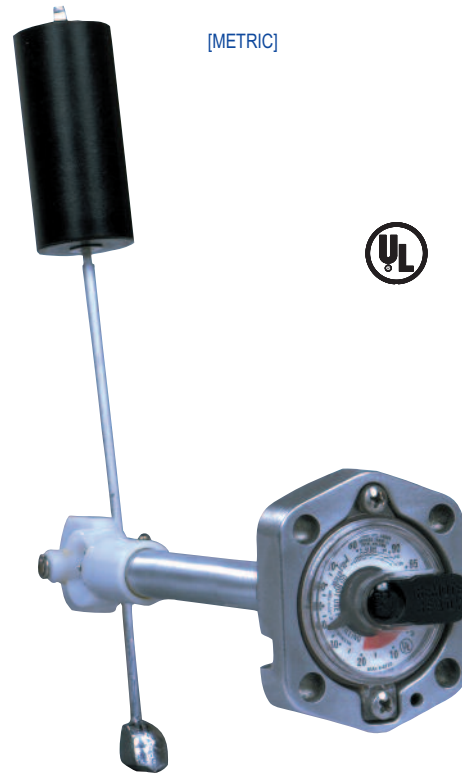
Junior gauges are supplied standard with 0015-00007 Buna-N gasket and four 0040-00414 zinc-plated steel mounting screws (1/4" — 28 x 7/8") for attachment to a gauge adapter with 2.03" [51,5] diameter bolt circle (see Rochester Machining Standard MS-501).

Models 6281 and 6284 Junior gauges used on above ground ASME storage tanks are equipped with direct reading 5323S01749 percentage dials. Model 6281 Junior gauges used on below ground ASME storage tanks are equipped with direct-reading 5323S01813 percentage dials. Models 6241 and 6244 Junior gauges used on ASME motor fuel tanks are equipped with direct-reading 5323S01789 fractional dials. Refer to list #D6200 for part numbers of the various direct-reading dials for model 6281 and 6284 Junior gauges used on DOT lift truck cylinders.

All gauges in the 6240 series and B6240 series incorporates a stronger magnet necessary to drive remote reading TwinSite™ senders in motor fuel applications. Refer to list #D6200 for part numbers and ohm ranges available.

All Senior gauges except models 6290 and 6293 come equipped with 0015-0004 Buna-N gaskets and four 0040-00415 zinc plated steel mounting screws, (5/16" — 24 x 7/8"), for attachment to a gauge adapter with 2.5" [63,5] diameter bolt circle (see Rochester Adapter Machining Standard MS-502). Model 6280 and 6283 Senior gauges used on above ground ASME storage tanks are equipped with direct-reading 5001S00001 percentage dials.

Models 6290 and 6293 Senior gauges with stainless steel heads may be used on above ground horizontal or vertical ASME storage tanks over 3500 [13250 liters] gallon capacity and are equipped with cap screws, teflon-filled, stainless steel gaskets, stronger magnets and direct-reading 4" diameter percentage dials. Tank drawings must be furnished for all vertical tanks so we can recommend computer generated gauge adapter placement to correspond with an assortment of standard dials and dial sets calibrated for vertical tanks.



Magnetic Liquid-Level Gauges For LP Gas Service

Junior Models	Description
6281	For top mounting, includes standard magnet to drive direct-reading dials.
6284	Same as 6281, except for side, end, or angle mounting.
6241	For top mounting, includes stronger magnet to drive TwinSite® senders.
6244	For side, end, or angle mounting, otherwise same as 6241.
B6244	Same as 6244, except with brass head.

Senior Models	Description
6280	For top mounting, includes standard magnet to drive direct-reading dials.
6283	Same as 6280, except for side, end, or angle mounting.
6290	For top mounting, includes stronger magnet to drive large 4" dial.
6293	Same as 6290, except for side, end, or angle mounting.

See reverse side for dimensional data, materials of construction, performance, and advice on how to order.

05/01/09

[METRIC]

General Specifications*

Temperature Range

Standard range is -40°F to 158°F, -40C to 70C.

Accuracy

Dependent on proper sizing of gauge and tank configuration. When equipped with Jr.™ dial, overall accuracy is ±5%, Sr.™ dial is ±3%, TwinSite® sender is ±5%, 4" dial is ±3%.

Humidity

For high humidity below ground or under chassis applications, brass, stainless steel, or painted aluminum heads are recommended.

Shock & Vibration

Suitable for mobile service applications.

Power

0.5 watts maximum dissipation for TwinSite® versions.

Working Pressure

375 psi. [25,8 Bar]

Approvals

Gauges are UL listed for LP Gas service applications.

When ordering, specify:

1. Gauge head size, Junior or Senior, or model #.
2. Tank diameter as shown on nameplate.
3. Mounting location (top, side, end or angle).
4. If gauge is angle mounted, state angle.
5. If gauge is end mounted, state the shape of the tank head, hemispherical or semi-ellipsoidal.
6. The "H" dimension, the distance in inches from the surface of the tank to the top of the gauge opening.

To order replacement gauge, simply furnish the information stamped on one of the flat sections on the side of the gauge head as shown in the example.

Note: For installation instructions see MS-501/502 (mounting standard).

Materials of Construction*

Head

Aluminum die casting standard. Model B6244 has brass head, models 6290 and 6293 have stainless steel head.

Gear Housing

Zinc die-casting or acetal.

Centershaft Bearings, Gear, Pinion, Cross Stud & Bearing, & Dial Screws

Stainless steel.

Support, Centershaft & Float Rod

Tempered aluminum.

Float Bulb

Nitrile rubber or one piece aluminum.

Counterweight

Lead.

Magnet

Alnico.

Gasket

Buna-N standard. Spiral wound, teflon-filled, stainless steel on models 6290 and 6293.

Head Screws

Zinc-plated steel, stainless steel on B6244.

Junior Direct Reading Dials & TwinSite® Senders

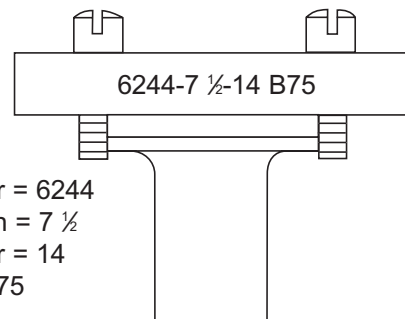
Ultrasonically sealed polycarbonate.

Senior Dials

Aluminum with acrylic or polycarbonate crystal, sealed with rubber gasket.

4" Dials

Aluminum with glass crystal, sealed with a rubber gasket.



Model number = 6244
Support length = 7 ½
Tank diameter = 14
Mfg. date = B75

Note: Gauge head may also be stamped with model & unique suffix #.

* Materials and specifications are subject to change without notice.
Pressure ratings subject to change due to temperature and other environmental considerations.

05/01/09